

R180

FRAME ONLY

- *An affordable edge solution for smaller surface prep jobs.
- *Simplifies working with edges which saves time and it is designed to operate while standing, avoiding wear on your knees and back.
- *Guide handle allows control and pressure application to the center of the tool.
- *Bright LED headlight
- *The frame is a real life saver for the contractor that is looking to save time money and back muscles.



Model	R180A	R180B
Suitable for Angle grinder	7-9inch	7-9inch
Water Tank	NONE	YES
Packing weight(KG)	16kg	23kg
Packing size (mm)	550x350x750	680*400*350

R460

R460 is a great machine for smaller jobs or homes, offices and rooms. Available 220 volt single phase The size and weight allow for easy loading and unloading at the jobsite or to carry up to a mezzanine or landing. The Ronlon 460 is very versatile, and can be used for coatings removal, grinding and polishing.



Model	R460A	R460B
Voltage	220V-240V 1Phase	220V-240V 3 or 1phase
Motor	3KW (4HP)	4KW (5.5HP)
Inverter	4KW(5HP)	5.5KW(7.5HP)
Working Width	460mm	460mm
HZ	50/60HZ	50/60HZ
Current	11.8	15
Rotating Speed	300-1400RPM	300-1400RPM
Disc Diameter	200mm*3	200mm*3
Water Tank	35L	35L
Weight	135KG	140KG
Additional Weight	30KG	30KG
Packing size (mm)	990*500*1190	990*500*1190

R250/R300/R430

R250,R300,R430 is a single disc floor grinder that you can quickly convert for edge grinding on both sides. It efficiently grinds adhesives, paint, epoxy and spackle. With a grinding width from 250-300-430mm. it is suitable for small to medium concrete areas. It is available in both 1- and 3-phase versions. Designed to facilitate an ergonomic work position, it is easy and convenient to use. The machine is light and compact and therefore easy to transport and set-up.



Model	Voltage	Input Power	Inverter	Current	HZ	Working Width	Disc Speed	Weight	Packing size(mm)
R250	220/110V	2.2kw/1.5kw	/	10A/15A	50/60HZ	250mm	1400RPM	55KG	750*400*750
R300	220V-240V 1Phase	3KW (4HP)	5.5KW (7.5HP)	12A	50/60HZ	300mm	300-1400 RPM	70KG	650*400*750
R430A	380V-440V 3Phase	4KW (5.5HP)	5.5KW (7.5HP)	10A	50/60HZ	430mm	300-800 RPM	88KG	1000*460*800
R430B	220V-240V 3or1Phase	4KW (5.5HP)	5.5KW (7.5HP)	18A	50/60HZ	430mm	300-900 RPM	88KG	1000*460*800

R540

Handle adjustable for different height, and folding for easy transportation and storage.

Dual heads (6pads), cross rotating, increase efficiency to save labor cost.

Easy wheel adjustment system to give suitable pressure always.

One-body thicker gearbox, unique in the market, to assure higher precision and more durability.

Belt and gear driven, longer life.



Model	R540
Voltage	220-240V 1 Phase
Motor Power	7.5hp(5.5kw)
Inverter Power	7.5hp(5.5kw)
HZ	50/60HZ
AMP	15A
Rotating Speed	300-1400RPM
Water Tank	30L
Weight	148kg
Extra Weight	1*20kg

R590

With four gear driven heads, not leave trace on floor when the four square plates square cross to work. Whether you're removing costing, prepping a new surface or polishing. The machine will give you professional results in the minimal amount of time.



Model	R590A	R590B
Voltage	380V-440V 3Phase	220V-240V 3or1phase
Motor	7.5KW (10HP)	7.5KW (10HP)
Inverter	7.5KW(10HP)	11KW(15HP)
Working Width	590mm	590mm
HZ	50/60HZ	50/60HZ
Current	15A	25A
Rotating Speed	300-1800RPM	300-1800RPM
Disc Diameter	310mm*4	310mm*4
Water Tank	30L	30L
Weight	230KG	230KG
Additional Weight	1*30KG	1*30KG
Packing size (mm)	"1000*700*1020"	1000*700*1020

R600

The R600 is the perfect mid- size machine with huge 7.5 Hp capacity. There are single phase 220V-240V and 3 phase 380V for your choice. The Ronlon R600 is very versatile, and can be used for coatings removal, grinding and polishing.



Model	R600A	R600B
Voltage	380V-440V 3Phase	220V-240V 3or1phase
Motor	5.5KW (7.5HP)	5.5KW (7.5HP)
Inverter	7.5KW(10HP)	7.5KW(10HP)
Working Width	600mm	600mm
HZ	50/60HZ	50/60HZ
Current	11A	19A
Rotating Speed	300-1800RPM	300-1800RPM
Disc Diameter	220mm*3	220mm*3
Water Tank	30L	30L
Weight	230KG	230KG
Additional Weight	1*30KG	1*30KG
Packing size (mm)	1060*630*1250	1060*630*1250

R650

R650 With 4 heads grinder you can get up 30% more effective grinding and polishing and obviously a more level floor.a highly productive machine but easy to handle and operate. This is the ideal machine for larger jobs. International Voltages available. or 380 Volt / 208 Volt Three Phase.220 Single phase can be ordered.



Model	R650A	R650B
Voltage	380V-440V 3Phase	220V-240V 3or1phase
Motor	7.5KW (10HP)	7.5KW (10HP)
Inverter	11KW(15HP)	11KW(15HP)
Working Width	650mm	700mm
HZ	50/60HZ	50/60HZ
Current	15A	25A
Rotating Speed	300-1800RPM	300-1800RPM
Disc Diameter	330mm*4	330mm*4
Water Tank	30L	30L
Weight	250KG	250KG
Additional Weight	1*30KG	1*30KG
Packing size (mm)	1130*690*1250	1130*690*1250

R680

R680 With 4 heads grinder you can get up 30% more effective grinding and polishing and obviously a more level floor. a highly productive machine but easy to handle and operate. This is the ideal machine for larger jobs. International Voltages available. or 380 Volt / 208 Volt Three Phase. 220 Single phase can be ordered.



Model	R680A	R680B
Voltage	380V-440V 3Phase	220V-240V 3or1phase
Motor	7.5KW (10HP)	7.5KW (10HP)
Inverter	11KW(15HP)	11KW(15HP)
Working Width	680mm	680mm
HZ	50/60HZ	50/60HZ
Current	15A	25A
Rotating Speed	300-1800RPM	300-1800RPM
Disc Diameter	220mm*4	220mm*4
Water Tank	30L	30L
Weight	260KG	260KG
Additional Weight	2*25KG	2*25KG
Packing size (mm)	1080*710*1250	1080*710*1250

R700

With four gear driven heads ,not leave trace on floor when the four square plates square cross to work. Whether you're removing costing, prepping a new surface or polishing. The machine will give you professional results in the minimal amount of time.



Model	R700A	R700B
Voltage	380V-440V 3Phase	220V-240V 3phase
Motor	11KW (15HP)	15KW (20HP)
Inverter	11KW(15HP)	18KW(25HP)
Working Width	700mm	700mm
HZ	50/60HZ	50/60HZ
Current	22A	42A
Rotating Speed	300-1800RPM	300-1800RPM
Disc Diameter	380mm*4	380mm*4
Water Tank	32L	32L
Weight	280KG	280KG
Additional Weight	1*35KG	1*35KG
Packing size (mm)	1130*740*1250	1130*740*1250

R780-3

The R780-3 is a very powerful machine with a lot of torque to the floor for the heavy grinds and for removing epoxy coatings and glue, a highly productive machine but easy to handle and operate. This is the ideal machine for larger jobs. International Voltages available. or 380 Volt / 208 Volt Three Phase.220 Single phase can be ordered.



Model	R780-3A	R780-3B	R780-3C
Voltage	380V-440V 3phase	220V-240V 3or1phase	380V-440V 3phase
Motor	7.5KW (10HP)	7.5KW (10HP)	11KW (15HP)
Inverter	11KW(15HP)	11KW(15HP)	11KW(15HP)
Working Width	780mm	780mm	780mm
HZ	50/60HZ	50/60HZ	50/60HZ
Current	15A	25A	22A
Rotating Speed	300-1800RPM	300-1800RPM	300-1800RPM
Disc Diameter	250mm*3	250mm*3	250mm*3
Water Tank	40L	40L	40L
Weight	260KG	260KG	260KG
Additional Weight	2*25KG	2*25KG	2*25KG
Packing size (mm)	1100*820*1250	1100*820*1250	1100*820*1250

R780-4

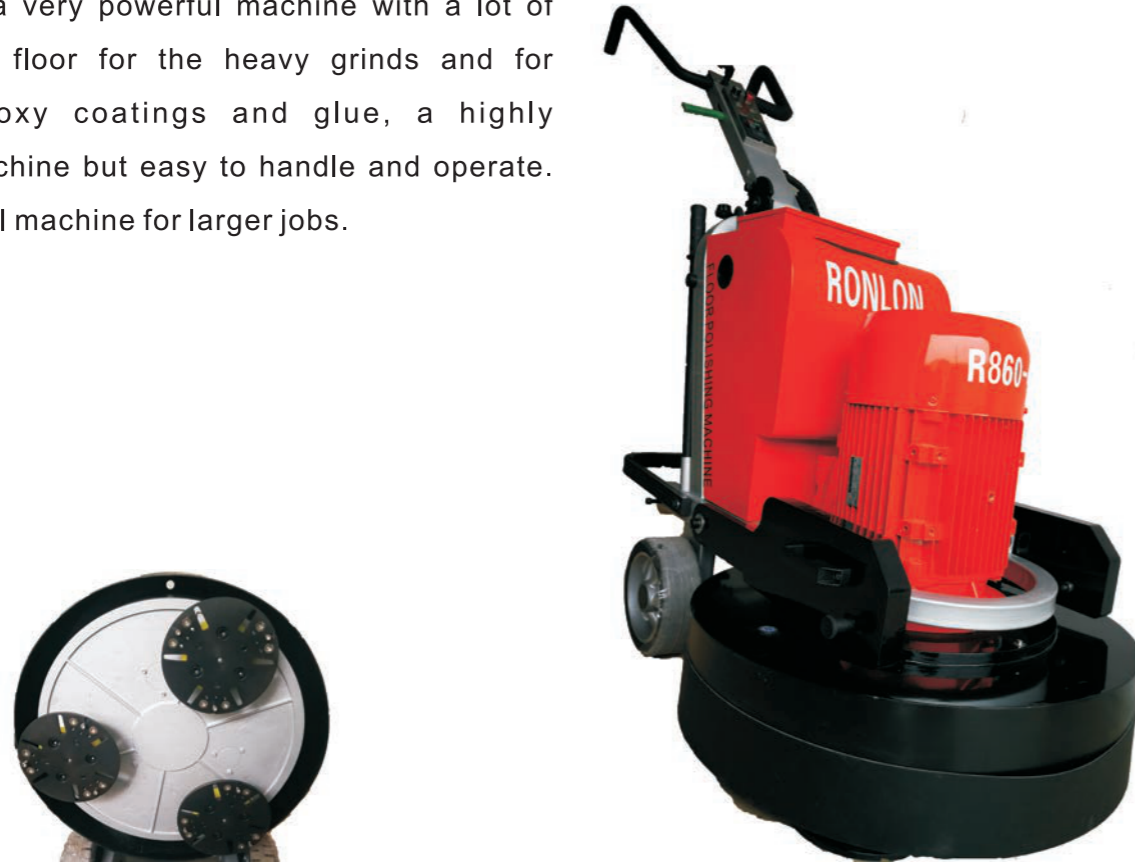
The R780-4 With 4 heads grinder you can get up 30% more effective grinding and polishing and obviously a more level floor. It's a very powerful machine with a lot of torque to the floor for the heavy grinds and for removing epoxy coatings and glue, a highly productive machine but easy to handle and operate. This is the ideal machine for larger jobs. International Voltages available. or 380 Volt / 208 Volt Three Phase.220 Single phase can be ordered.



Model	R780-4A	R780-4B	R780-4C
Voltage	380V-440V 3phase	220V-240V 3or1phase	380V-440V 3phase
Motor	11KW(15HP)	11KW(15HP)	11KW (15HP)
Inverter	11KW(15HP)	15KW(20HP)	11KW(15HP)
Working Width	780mm	780mm	780mm
HZ	50/60HZ	50/60HZ	50/60HZ
Current	15A	25A	22A
Rotating Speed	300-1800RPM	300-1800RPM	300-1800RPM
Disc Diameter	250mm*3	250mm*3	250mm*3
Water Tank	40L	40L	40L
Weight	260KG	260KG	260KG
Additional Weight	2*25KG	2*25KG	2*25KG
Packing size (mm)	1100*820*1250	1100*820*1250	1100*820*1250

R860-3

The 860-3 is a very powerful machine with a lot of torque to the floor for the heavy grinds and for removing epoxy coatings and glue, a highly productive machine but easy to handle and operate. This is the ideal machine for larger jobs.



Model	R860-3A	R860-3B
Voltage	380V-440V 3Phase	220V-240V 3phase
Motor	11KW (15HP)	11KW (15HP)
Inverter	11KW(15HP)	15KW(20HP)
Working Width	860mm	860mm
HZ	50/60HZ	50/60HZ
Current	22A	35A
Rotating Speed	300-1800RPM	300-1800RPM
Disc Diameter	300mm*3	300mm*3
Water Tank	40L	40L
Weight	320KG	340KG
Additional Weight	2*25KG	2*25KG
Packing size (mm)	1120*900*1300	1120*900*1300

R860-4

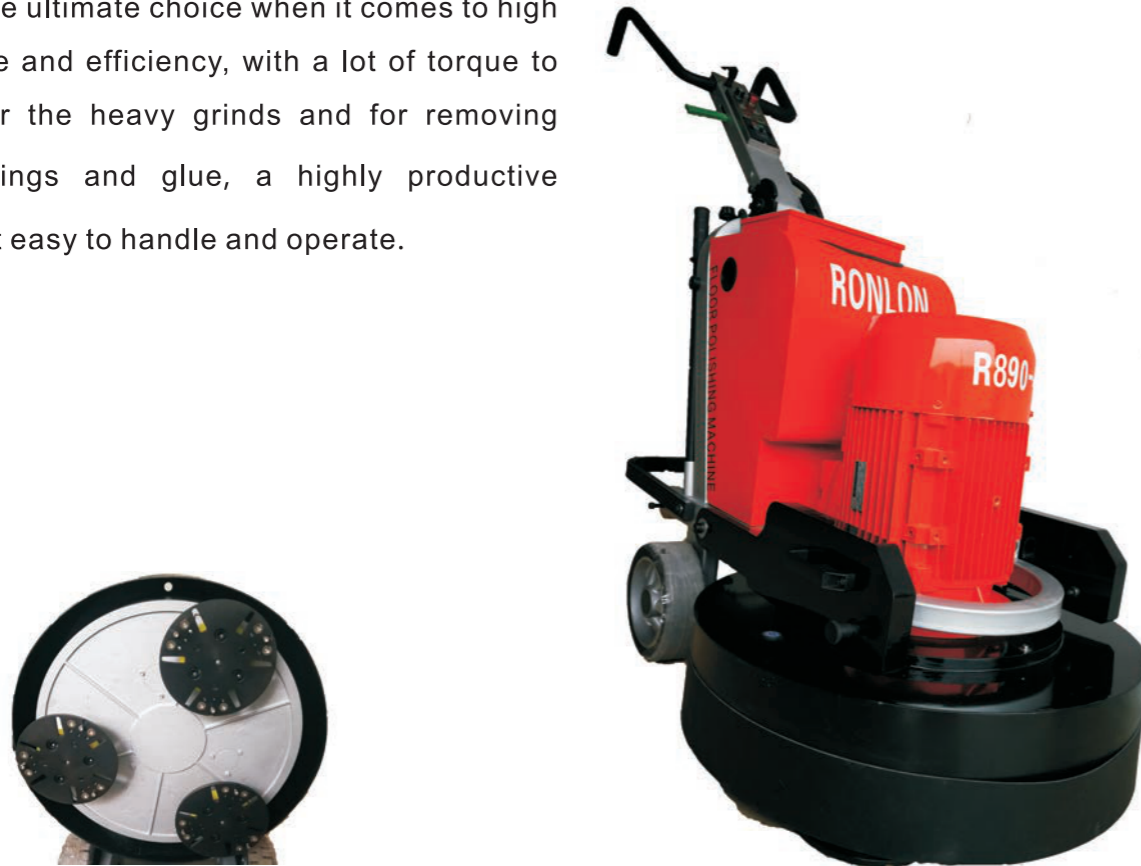
With 4 heads grinder you can get up 30% more effective grinding and polishing and obviously a more level floor. It's a very powerful machine with a lot of torque to the floor for the heavy grinds and for removing epoxy coatings and glue, a highly productive machine but easy to handle and operate. This is the ideal machine for larger jobs.



Model	R860-4A	R860-4B
Voltage	380V-440V 3Phase	220V-240V 3 phase
Motor	11KW (15HP)	15KW (20HP)
Inverter	15KW(20HP)	18.5KW(25HP)
Working Width	860mm	860mm
HZ	50/60HZ	50/60HZ
Current	22A	42A
Rotating Speed	300-2000RPM	300-2000RPM
Disc Diameter	300mm*4	300mm*4
Water Tank	40L	40L
Weight	340KG	350KG
Additional Weight	2*25KG	2*25KG
Packing size (mm)	1120*900*1300	1120*900*1300

R890-3

R890-3 is the ultimate choice when it comes to high performance and efficiency, with a lot of torque to the floor for the heavy grinds and for removing epoxy coatings and glue, a highly productive machine but easy to handle and operate.



Model	R890-3A	R890-3B
Voltage	380V-440V 3Phase	220V-240V 3phase
Motor	15KW (20HP)	15KW (20HP)
Inverter	15KW(20HP)	15KW (20HP)
Working Width	890mm	890mm
HZ	50/60HZ	50/60HZ
Current	30A	42A
Rotating Speed	300-1800RPM	300-1800RPM
Disc Diameter	340mm*3	340mm*3
Water Tank	40L	40L
Weight	320KG	330KG
Additional Weight	2*25KG	2*25KG
Packing size (mm)	1120*940*1300	1120*940*1300

R890-4

With 4 heads grinder you can get up 30% more effective grinding and polishing and obviously a more level floor. well-known drive system with four grinding discs perfectly balances the machine It's a very powerful machine with a lot of torque to the floor for the heavy grinds and for removing epoxy coatings and glue, a highly productive machine but easy to handle and operate. This machine is your No.,1 professional choice for larger jobs.



Model	R860-4A	R860-4B
Voltage	380V-440V 3Phase	220V-240V 3phase
Motor	15KW (20HP)	15KW (20HP)
Inverter	15KW(20HP)	18.5KW (25HP)
Working Width	890mm	890mm
HZ	50/60HZ	50/60HZ
Current	30A	42A
Rotating Speed	300-2000RPM	300-2000RPM
Disc Diameter	340mm*4	340mm*4
Water Tank	40L	40L
Weight	340KG	360KG
Additional Weight	2*25KG	2*25KG
Packing size (mm)	1120*940*1300	1120*940*1300

R1200

The natural choice for large areas, The grinder's grinding head consists of 2 modified 700 heads, the grinding width is around 1.2m and the motors are 10 hp each.



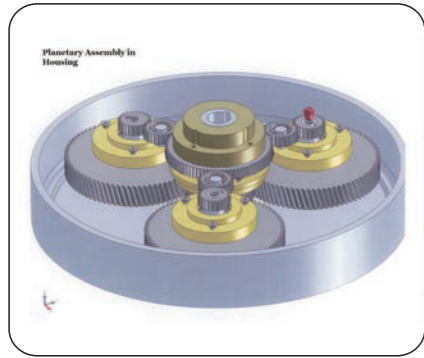
Model	R1200
Voltage	380V-440V 3Phase
Motor	10hp*2(7.5kw*2)
Inverter	20hp(15kw)
Working Width	1200mm
HZ	50/60HZ
Current	30A
Rotating Speed	300-1800RPM
Water Tank	32L
Weight	420KG
Additional Weight	2*30KG
Packing size (mm)	1100*1240*1300

R1300

R1300 is the ultimate choice when it comes to high performance and efficiency. The grinder's grinding head consists of three modified 460 heads, This concrete grinder is incredibly effective and grinds large areas in a short time.

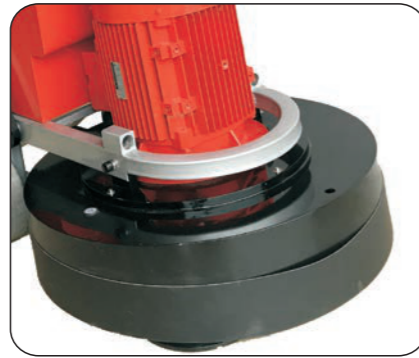


Model	R1300
Voltage	380V-440V 3Phase
Motor	5.5hp*3(4kw*3)
Inverter	20hp(15kw)
Working Width	1300mm
HZ	50/60HZ
Current	24A
Rotating Speed	300-1800RPM
Water Tank	32L
Weight	400KG
Additional Weight	3*30KG
Packing size (mm)	1100*1340*1300



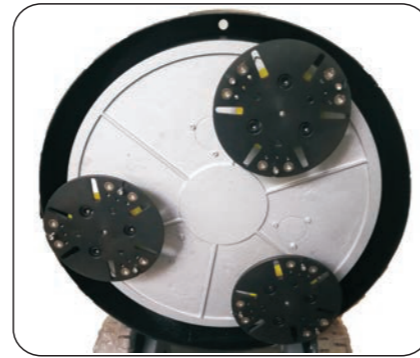
All Strong Gear Design

All Strong gear design with drive to each of the three flex heads as well as power to the drum for the highest production rate in its size , Helical gears in an oil bath just like the transmission in your car to produce high torque to the floor with no noise and wear. just like in the wheel of your car to reduce wear and give your a long working life span.



Flexible grinding cover

Together with the dust extractor it prevents dust to spread in the premises. Since Ronlon's grinding covers are flexible you can grind much closer to corners and edges.



Magnetic Instant-Change Tool System

The Ronlon developed the Magnetic Instant-change tool mounting system is quick ,simple and safe. One tooling system for all the Ronlon's grinding machine. Ronlon also supply head with Redi-lock system.



Super IE 2 motor

Powerful high efficiency motor save cost for grinding job, Ronlon Can supply 2 years warranty for motors.



Special-ordered flexible coupler

All Ronlon's grinder come with best coupler can supply with 2 years warranty, it is the best coupler in China .



Ronlon tool box

Toolbox fixed on water tank, equipped with common tools;Convenient for abrasives replacement;Small parts and common parts can be placed.



Standard accessories come with machine



Raised water switch

Convenient control for water volume during wet grinding;Big capacity water tank, no need for continuous water addition.



Vacuum connector

For dry grinding;Standard size, apply to Ronlon vacuum and other brands in the market;Connecting with vacuum will not affect grinder moving during the operation.



Upgrade Australian standard plug

Waterproof grade IP66; Reliable and durable quality.



Extra weights for

R460.R540.R600,R650,R1200,R1300

U type extra weights, you can add 1-3 pcs for grinder depend on job-site requirement.



Extra weights for

R680 R700 R780-3/4 R890-3/4

Can be put as forward to optimize grinding effect.Simple and convenient installation and disassembly



With Led light for better working at night



Smart Control Head

- 1) FWD&REV rotating direction prolong the service life of abrasive, and optimize the grinding effect.
- 2) Variable speed to grind rough floors by slowing down the grinding heads to keep them from bouncing which will stop them from cutting. By speeding up the grinding heads you can polish and burnish the floor with the proper tooling. Variable speed also allows you to work on marble and granite floors.
- 3) With the red emergency switch supply safe always for you.
- 4) USB port for charging mobiles.

R8

This high speed floor polisher burnisher buffer machine is developed professional for large floor working project .with 27 inch polishing pads, 10HP motor and 0-1800 variable working speed,our this machine will provide much high efficient and best performance on concrete marble stone terrazzo and granite floorsto handle the toughest jobs with ease.



Model	R8A	R8B
Voltage	380V-440V 3Phase	220V-240V 1phase
Motor	7.5KW (10HP)	7.5KW (10HP)
Inverter	7.5KW (10HP)	7.5KW (10HP)
Working Width	686mm	686mm
HZ	50/60HZ	50/60HZ
Current	15A	27A
Rotating Speed	0-1800RPM	0-1800RPM
Disc Diameter	27inch	27inch
Weight	172KG	172KG
Packing size (mm)	1180*750*1020	1180*750*1020

RC680

With 4 heads grinder you can get up 30% more effective grinding and polishing and obviously a more level floor.a highly productive machine but easy to handle and operate. This is the ideal machine for larger jobs.



Model	RC680A	RC680B
Voltage	380V-440V 3Phase	220V-240V 3or1phase
Motor	11KW (15HP)	7.5KW (10HP)
Inverter	11KW(15HP)	11KW(15HP)
Working Width	680mm	680mm
HZ	50/60HZ	50/60HZ
Current	18A	18A
Rotating Speed	300-1800RPM	300-1800RPM
Disc Diameter	220mm*4	220mm*4
Battery	Yes	No
Weight	360KG	360KG
Additional Weight	2*30KG	2*30KG
Packing size (mm)	1230*720*1450	1080*710*1250

RC700

With four gear driven heads ,not leave trace on floor when the four square plates square cross to work. Whether you're removing costing, prepping a new surface or polishing. The machine will give you professional results in the minimal amount of time.



Model	RC700
Voltage	380V-440V 3Phase
Motor	11KW (15HP)
Inverter	15KW(20HP)
Working Width	700mm
HZ	50/60HZ
Current	25A
Rotating Speed	300-1800RPM
Disc Diameter	380mm*4
Battery	Yes
Weight	400KG
Additional Weight	2*35KG
Packing size (mm)	1230*750*1450

RC780-3

The RC780-3 is a very powerful machine with a lot of torque to the floor for the heavy grinds and for removing epoxy coatings and glue, a highly productive machine but easy to handle and operate. This is the ideal machine for larger jobs.



Model	RC780-3A	RC780-3B
Voltage	380V-440V 3phase	380V-440V 3phase
Motor	7.5KW (10HP)	7.5KW (10HP)
Inverter	11KW(15HP)	11KW(15HP)
Working Width	780mm	780mm
HZ	50/60HZ	50/60HZ
Current	18A	18A
Rotating Speed	300-1800RPM	300-1800RPM
Disc Diameter	250mm*3	250mm*3
Battery	Yes	No
Weight	420KG	420KG
Additional Weight	2*25KG	2*25KG
Packing size (mm)	1230*820*1450	1230*820*1450

RC780-4

With 4 heads grinder you can get up 30% more effective grinding and polishing and obviously a more level floor. It's a very powerful machine with a lot of torque to the floor for the heavy grinds and for removing epoxy coatings and glue, a highly productive machine but easy to handle and operate. This is the ideal machine for larger jobs



Model	RC780-4
Voltage	380V-440V 3Phase
Motor	11KW (15HP)
Inverter	15KW(20HP)
Working Width	780mm
HZ	50/60HZ
Current	25A
Rotating Speed	300-1800RPM
Disc Diameter	250mm*4
Battery	YES
Weight	440KG
Additional Weight	2*25KG
Packing size (mm)	1230*820*1450

RC900-3

The RC900-3 is a very powerful machine with a lot of torque to the floor for the heavy grinds and for removing epoxy coatings and glue, a highly productive machine but easy to handle and operate. This is the ideal machine for larger jobs.



Model	RC900-3
Voltage	380V-440V 3Phase
Motor	11KW (15HP)
Inverter	15KW(20HP)
Working Width	860mm
HZ	50/60HZ
Current	25A
Rotating Speed	300-1800RPM
Disc Diameter	340mm*3
Battery	Yes
Weight	460KG
Additional Weight	2*25KG
Packing size (mm)	1230*940*1450

RC900-4

With 4 heads grinder you can get up 30% more effective grinding and polishing and obviously a more level floor. It's a very powerful machine with a lot of torque to the floor for the heavy grinds and for removing epoxy coatings and glue, a highly productive machine but easy to handle and operate. This is the ideal machine for larger jobs



Model	RC900-4A	RC900-4B
Voltage	380V-440V 3Phase	220V-240V 3phase
Motor	11KW (15HP)	11KW (15HP)
Inverter	15KW(20HP)	15KW(20HP)
Working Width	860mm	860mm
HZ	50/60HZ	50/60HZ
Current	25A	25A
Rotating Speed	300-1800RPM	300-2000RPM
Disc Diameter	300mm*4	300mm*4
Battery	Yes	No
Weight	500KG	500KG
Additional Weight	2*25KG	2*25KG
Packing size (mm)	1230*940*1450	1230*940*1450

RC1200

The natural choice for large areas, The grinder's grinding head consists of 2 modified 700 heads, the grinding width is around 1.2m and the motors are 10 hp each.



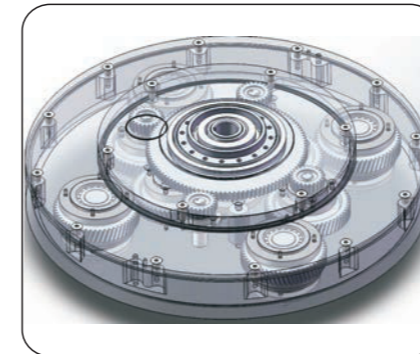
Model	RC900-3
Voltage	380V-440V 3Phase
Motor	10hp*2(7.5kw*2)
Inverter	20hp(15kw)
Working Width	1200mm
HZ	50/60HZ
Current	35A
Rotating Speed	300-1800RPM
Battery	YES
Weight	520KG
Additional Weight	2*30KG
Packing size (mm)	1100*1240*1300

RC1300

The natural choice for large areas, The grinder's grinding head consists of 3 modified 460 heads, the grinding width is around 1.3m and the motors are 5.5hp each.



Model	RC900-4A	RC900-4B
Voltage	380V-440V 3Phase	380V-440V 3Phase
Motor	5.5hp*3(4kw*3)	5.5hp*3(4kw*3)
Inverter	20hp(15kw)	20hp(15kw)
Working Width	1300mm	1300mm
HZ	50/60HZ	50/60HZ
Current	30A	30A
Rotating Speed	300-1800RPM	300-1800RPM
Battery	Yes	No
Weight	550KG	550kg
Additional Weight	3*25KG	3*25KG
Packing size (mm)	510*1020*870mm /650*1400*1200mm	510*1020*870mm /650*1400*1200mm



All Strong Gear Design

All Strong gear design with drive to each of the three flex heads as well as power to the drum for the highest production rate in its size, Helical gears in an oil bath just like the transmission in your car to produce high torque to the floor with no noise and wear, just like in the wheel of your car to reduce wear and give your a long working life span



25 degree climbing ability

Battery drive for moving, loading and unloading, 25 degree climbing ability, easy to move it onto a truck.



Remote control

The remote control provides a significantly simplified handling of the machine during grinding and transportation. It also makes it possible to grind for a long period of time without a break.



Special floating dust cover

With special floating dust cover is a breakthrough of traditional abrasive dust cover



Super IE 2 MOTOR

Imported drive motor & super IE2 grinding motor. Supply strong power for driving and grinding.



Led lamp work at night

The wheels can keep drive 75 minutes after cut off the power source

Ergonomically designed. Load and vibration damages are minimized since the machine can be run remotely

Combined with the magnetic and redi-lock system, makes it easy and convenient to replace tools and saves a lot of time.

Multy function operation: ride on, remote control, hand push